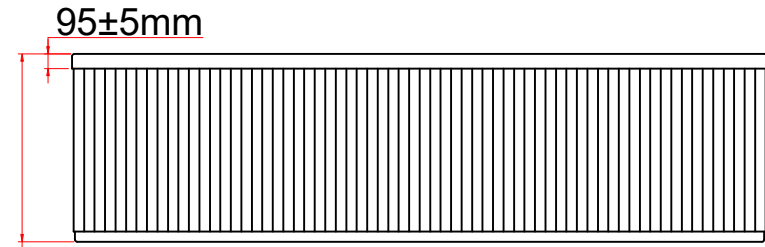
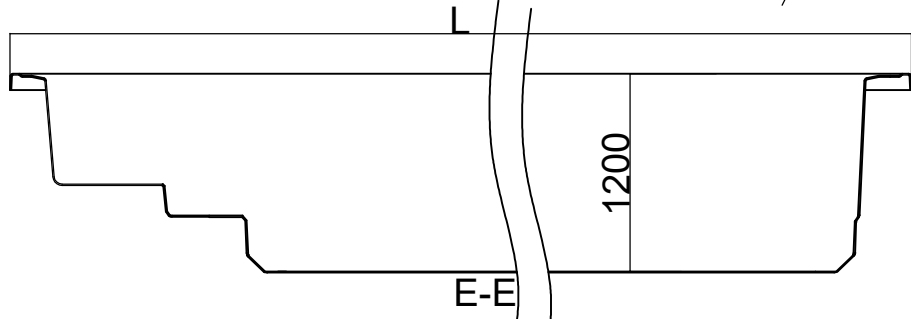
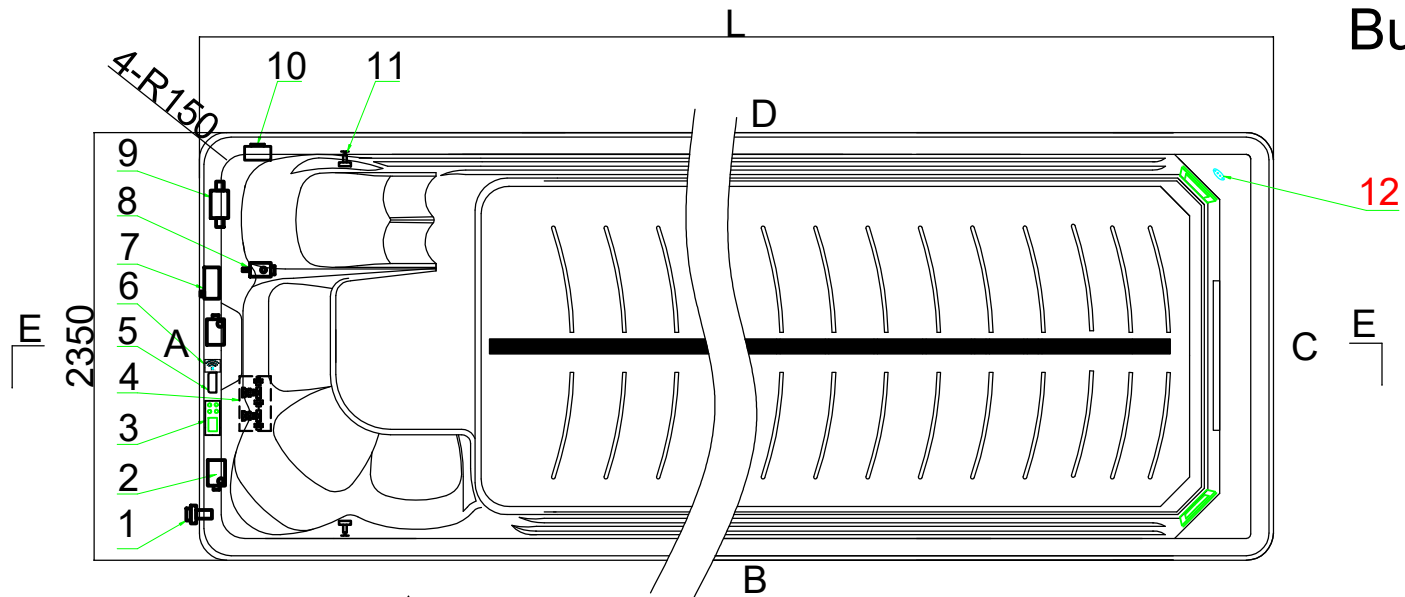


WEAL440-D

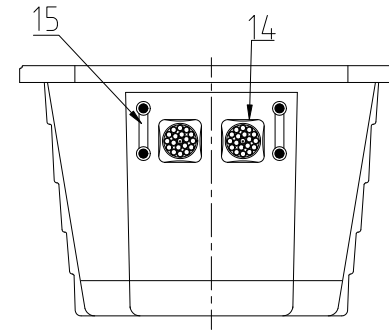
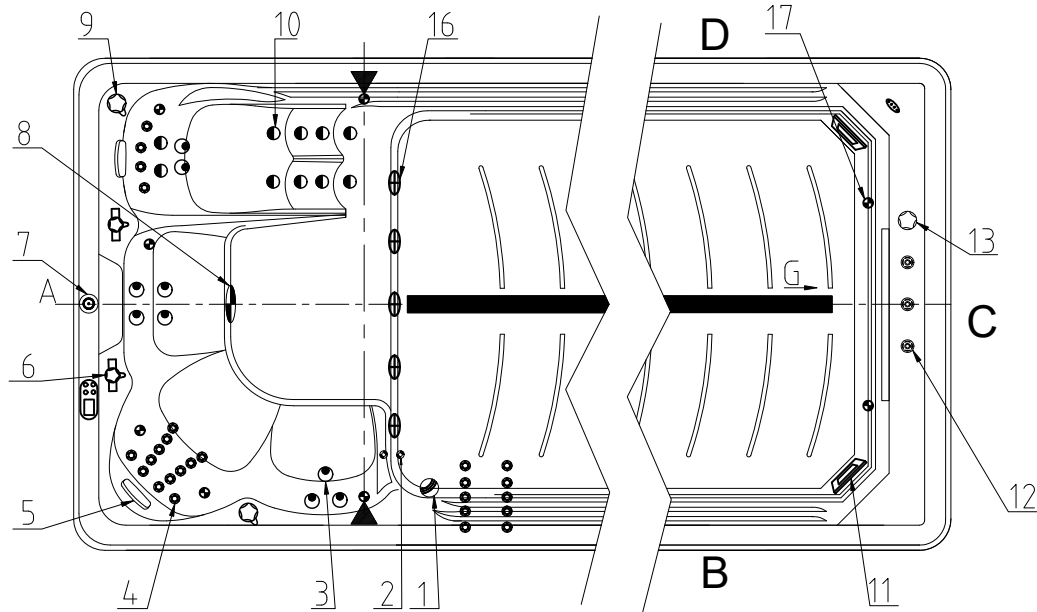
Business plan



Notes: Due to manufacturing tolerances, there could be some minor differences between the actual spa and the drawing above. If site planning is critical to such tolerances, be sure to measure your actual spa. All specifications are subject to change without notice. Some components may be optional on your spa.

12		Subsidiary Control Panel	1	pcs
11		Transducer Speaker(Optional)	2	pcs
10		Subwoofer(Optional)	1	pcs
9		Control Box	1	pcs
8		Circulation Pump	1	pcs
7		CD Ozone Generator	1	pcs
6		WiFi	1	pcs
5		C.Stream(Optional)	1	pcs
4		Head Pump Ready Unit(Optional)	1	pcs
3		Control Panel	1	pcs
2		3HP Single Speed Pump	2	pcs
1		Drain Valve	1	pcs
NO	ICON	DESCRIPTION	QTY	UNIT
		Edition:11/5/2022	TY.02.0130-3	

DESCRIPTION	L
WEAL440	4430
WEAL550	5495
WEAL600	5915

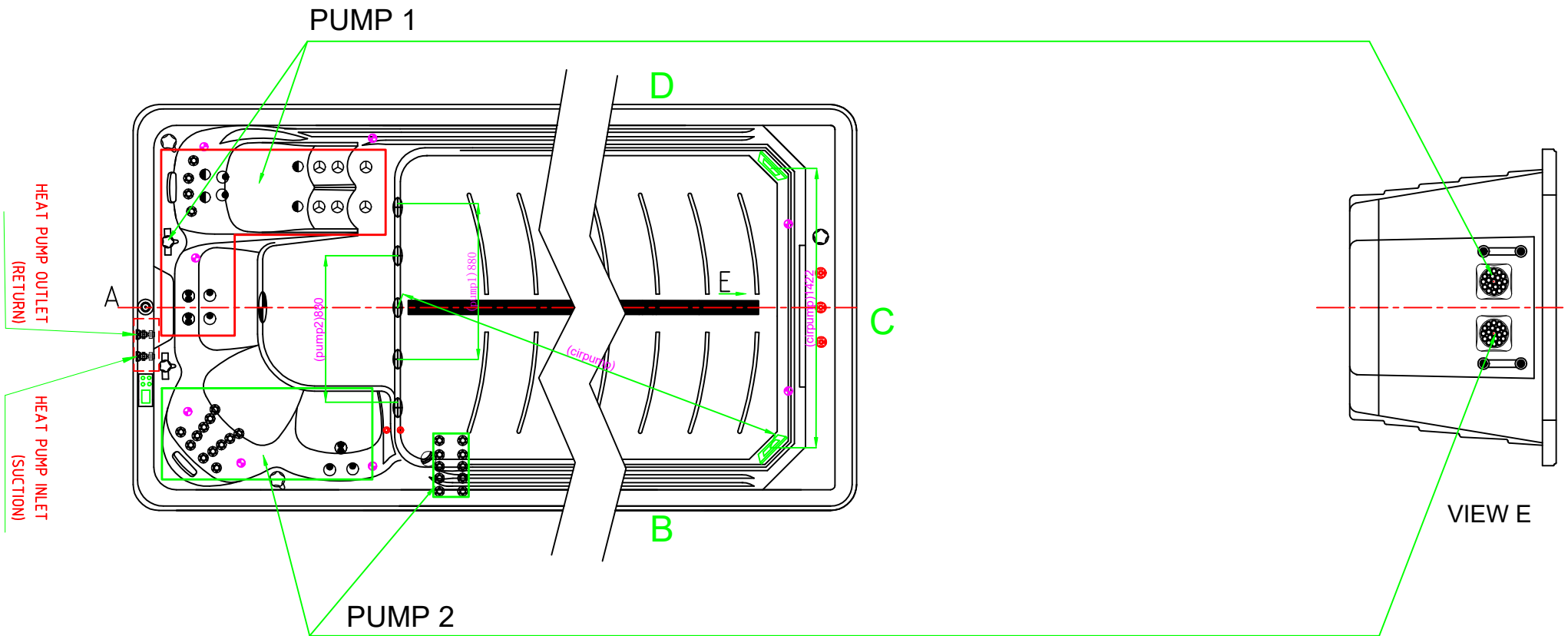


VERSION G

Notes: Due to manufacturing tolerances, there could be some minor differences between the actual spa and the drawing above. If site planning is critical to such tolerances, be sure to measure your actual spa. All specifications are subject to change without notice. Some components may be optional on your spa.

					12		Lifting Fountain	3	pcs	
					11		Single Cilinder Skimmer	2	pcs	
					10		3 inch Jet Internal-Single Spin	10	pcs	
					9		1 inch Air Check Valve Assembly	2	pcs	
					8		5 inch Light Housing Without Holder	1	pcs	
					7		Swim Base	1	pcs	
					6		2 inch Water Diverter Valve	2	pcs	
					5		Headrest	2	pcs	
					4		2.5 inch Jet Internal-Directional	26	pcs	
					3		4 inch Jet Internal-Single Spin	9	pcs	
					2		Ozone Injector	2	pcs	
					1		Star-Shape SS Bottom Drain	1	pcs	
17		Perimeter LED	WEAL600	18						
			WEAL550	16	pcs					
			WEAL440	14						
16		2 inch Suction (Full Set)		5	pcs					
15		Handrail		2	pcs					
14		3 inch Turbo Jet		2	pcs					
13		Fountain Valve		1	pcs					
	NO	ICON	DESCRIPTION	QTY	UNIT	NO	ICON	DESCRIPTION	QTY	UNIT

Therapy Assignment



Notes: Due to manufacturing tolerances, there could be some minor differences between the actual spa and the drawing above. If site planning is critical to such tolerances, be sure to measure your actual spa. All specifications are subject to change without notice. Some components may be optional on your spa.